



# North American Sensors, Corp.

## Economy Bilge Level Switches

NASC's line of Bilge Level Switches are designed to be installed in ships bilges & tanks along with industrial sumps & tanks, where it would be bolted to an adjoining structure. Custom configurations are available upon request. Specifications regarding this model may change without notice.

### BLG100/25SSS-X\*



#### Standard Features:

- ▶ Clear Polycarbonate Slosh Shield
- ▶ 316SS Stem, Float and Brackets
- ▶ 25 VA Form C Hermetically sealed Reed Switch
- ▶ 4C 18AWG PVC Jacketed Cable
- ▶ Water Tight Seal

Max Temp	250F
Max PSIG	200
Float SG	.68
Max Volts	120 AC/DC

#### BLG150/25SSS:

- ▶ Manual Lift/Test Mechanism

### BLG150/25SSS-X\*

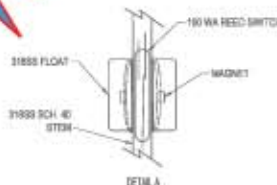


### BLG225/25SSS-X\*



#### Standard Features:

- ▶ 316SS Slosh Shield
- ▶ 316SS Stem, Float and Brackets
- ▶ 25 VA Form C Hermetically sealed Reed Switch
- ▶ 4C 18AWG PVC Jacketed Cable
- ▶ Water Tight Seal
- ▶ Manual Lift/Test Mechanism



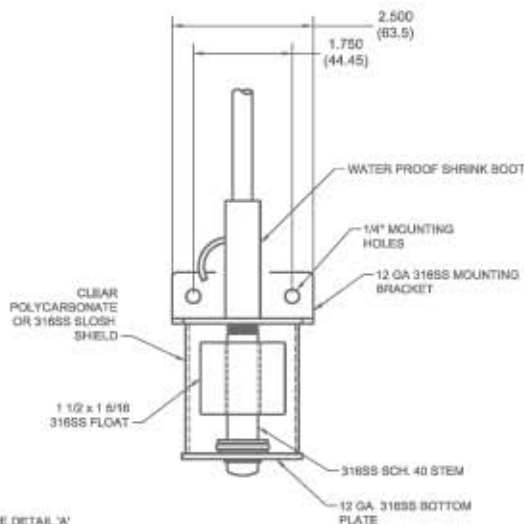
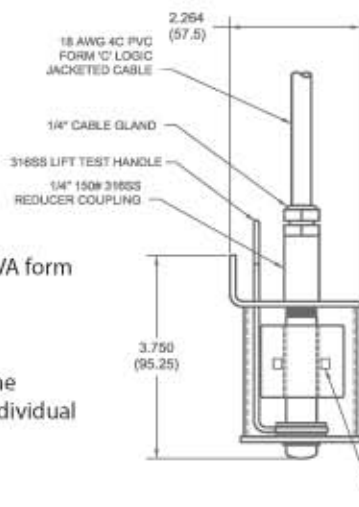
#### -X Options:

STO Cable 16AWG 4C  
Custom lengths of Cable

\*All Switches can also be supplied with a 100VA form 'C' hermetically sealed reed switch.

#### Note:

The actuation point will vary depending on the temperature and the specific gravity of the individual liquid being detected.



1-800-259-6874

23400 Hwy. 435, Abita Springs, LA 70420

www.northamericansensors.com - sales@mepinc.net



# North American Sensors, Corp.

## ABS Approved Bilge Level Switches

NASC's ABS Approved Bilge Level Switch is designed to be installed in ships bilges & tanks along with industrial sumps & tanks, where it would be bolted to an adjoining structure. Custom configurations are available upon request. Specifications regarding this model may change without notice. The BLG250/25SSS switch is the only ABS approved bilge level switch manufactured in the US.

### BLG250/25SSS



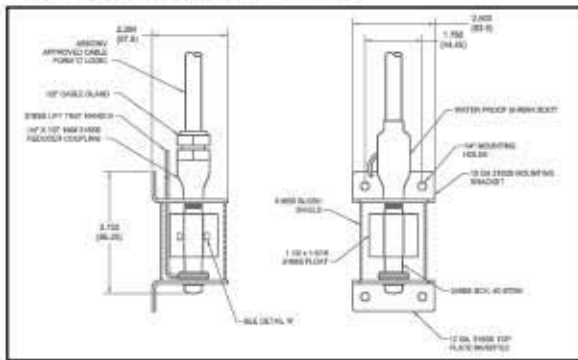
#### Standard Features:

- ▶ 316SS Slosh Shield
- ▶ 316SS Stem, Float and Brackets
- ▶ 25 VA Form C Hermetically sealed Reed Switch
- ▶ ABS approved cable, 6 ft. standard
- ▶ Water Tight Seal
- ▶ Manual Lift/Test Mechanism
- ▶ ABS Approved
- ▶ Made in the USA

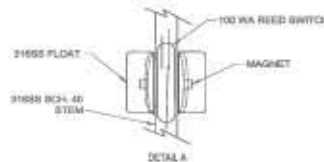
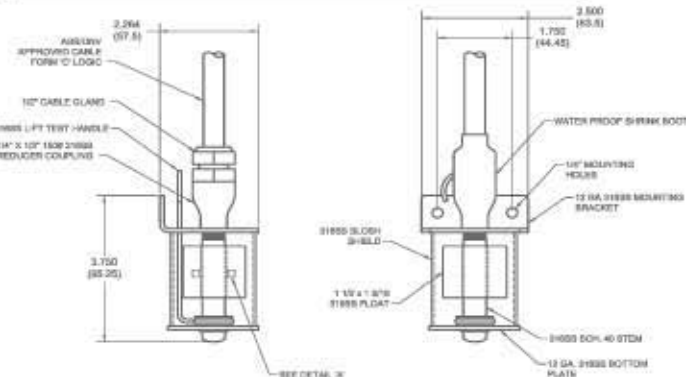
Max Temp	250F
Max PSIG	200
Float SG	.68
Watt Rating	25* AC/DC
Max Volts	120 AC/DC



### BLG250/25SSS-B



Announcing our new ABS Approved Bilge Switch that will withstand a 12G Blow. All the same rugged construction of the BLG250/25SSS with a few extras such as a double bracketing system and the slosh shield being Tig welded to the brackets and stem.



### BLG250/25SSS

Note:  
The actuation point will vary depending on the temperature and the specific gravity of the individual liquid being detected.

1-800-259-6874

23400 Hwy. 435, Abita Springs, LA 70420

www.northamericansensors.com - sales@mepinc.net