



Series 525 Pressure Transmitter

Two wire 4-20mA output transmitters offering superb chemical and corrosion resistance. Gauge or Absolute pressure is detected using a four active arm strain gauge bridge sensor, fuse to a high-purity ceramic diaphragm. Ranges from 100mbar to 50 bar or scaled to customers requirements. Standard cable length is 10', custom cable lengths available.



Operating Specifications

Wetted Materials	316L S.S., Alumina ceramic & Viton
Standard Ranges	See Ordering Chart for Options
Safe over-range pressure	1.5 x rated range
Burst Pressure	3 x rated range minimum
Output—span	16mA +/- 1% span
Output—zero	4mA +/- 1% span
Non-linearity, hysteresis & Repeatability	0.25% of span (best fit straight line)
Compensated Operating Temp.	-0 to +80 deg C (32 to 176F)
Thermal zero shift	-20 to +125 deg C (-4 - 257F)
Thermal Span	+/- 0.04% span per deg C
Long Term Stability	+/- 0.015% reading per deg C
Supply	0.1% per 12 month typical
Loop Resistance	10 to 32VDC
	1.1kΩ max @ 32VDC supply

Key Features

- All Stainless Steel Housing
- Rugged Construction
- Wide Pressure Ranges Available
- 4 - 20mA Output
- Excellent Linearity
- Long Term Stability
- Wide Temperature Range
- Excellent Corrosion Resistance
- Units can be factory scaled
- ABS Type Approved

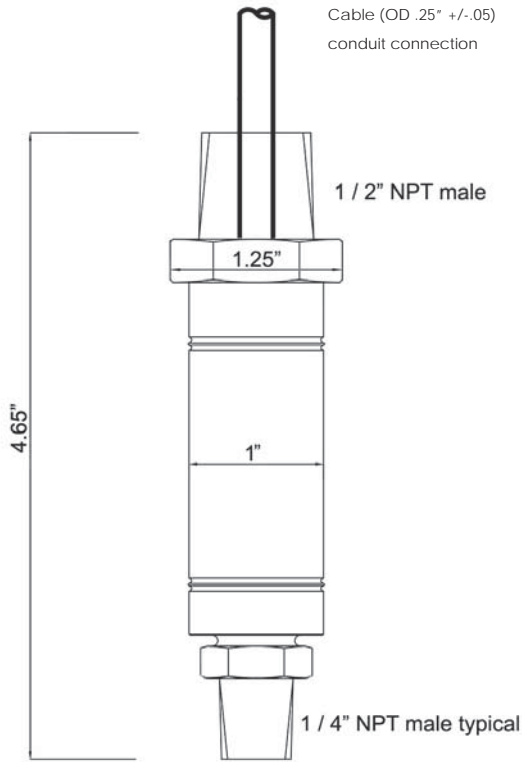




Level/Pressure Transmitters

Series 525 Pressure Transmitter

Dimensional Specifications



How to Order

(Example: Part Number PTR525G/T7/20B/I30/C/V/300)

PTR525G / T7 / 20B / I30 / C / V / Set Range

Process Connection	
T1	Submersible (flush diaphragm)
T2	1/4" BSP w/ Delrin Nose Cone
T7	1/2" NPT (male)
T40	1/4" NPT (female)
T41	1/4" NPT (male)
T42	1/4" BSP (male)
T29	3/4" BSP (flush diaphragm)

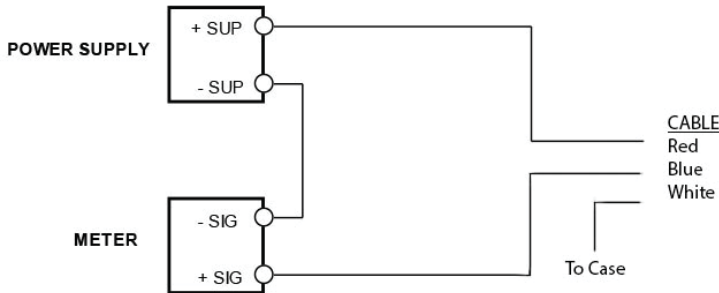
Range	3B	3 bar
0.1B	0.1 bar	5B
0.4B	0.4 bar	10B
1B	1 bar	20B
2B	2 bar	50B




Cable Outlet	
C	IP65 crimped cable & length (ft.)
I	IP68 glanded cable & length (ft.) or conduit connection

Accuracy Class	
A	NL&H < ± 0.1%/span BFSL
B	NL&H < ± 0.15%/span BFSL
C	NL&H < ± 0.25%/span BFSL

O-ring Material	
V	Viton
E	EPDM
H	HNBR
K	Kalrez

Wiring Diagram



 North American Sensors Corp
 IICG
 16 0518
 INTRINSICALLY SAFE PRESSURE TRANSDUCER
 EEx ia IIC T4 (Tambient max = +90°C) Sira 02ATEX2386X
 Type: PTR525
 Serial No:
 Ui = 28V Ci = 60nF Pi = 0.84W
 Ii = 120mA Li = 0

