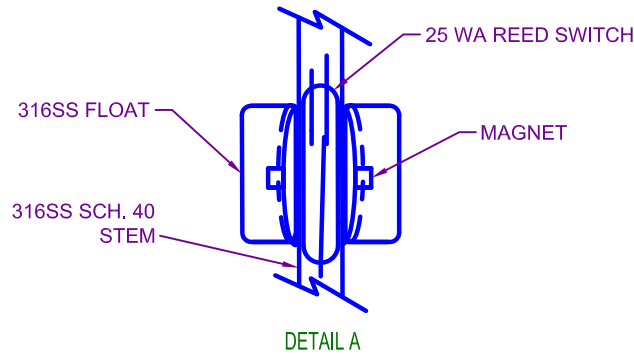


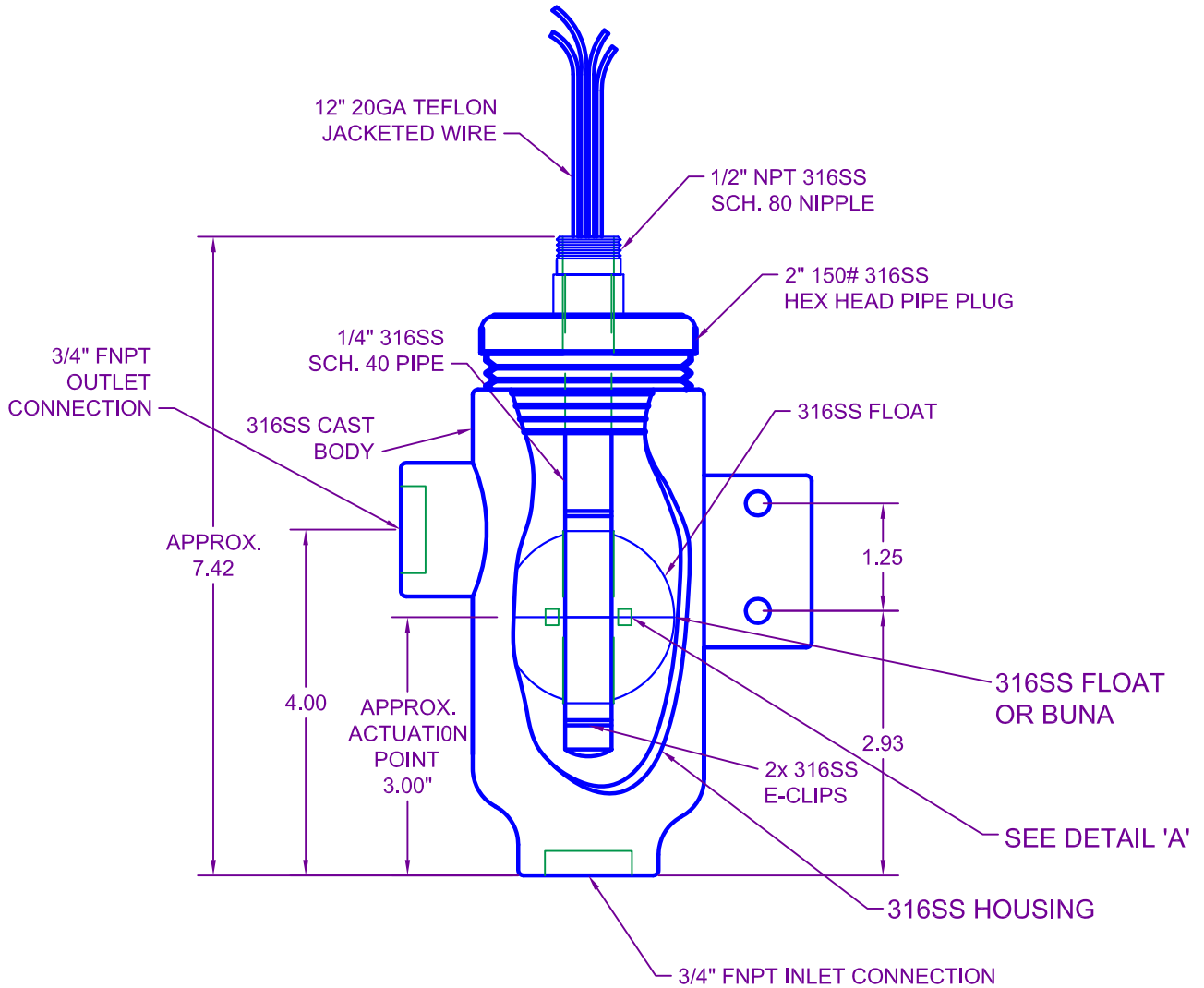
# WIRING LOGIC

SWITCH RATED SPDT 25VA

RED - N.O.  
 BLACK - N.C.  
 WHITE - COMMON  
 GREEN - GROUND



Max. Temp.	225°F
Max. PSIG	100
Float SG	.56
Watt Rating	25 AC/DC
Max Volts	120 AC/DC

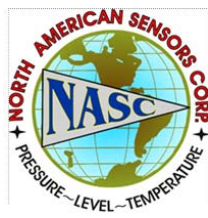


**NORTH AMERICAN SENSORS CORP.**  
 23400 HIGHWAY 435  
 ABITA SPRINGS, LA 70427  
 985-893-0909 985-893-0807

NOTE:  
 1. MAX. WATT RESISTIVE LOAD = 25W  
 2. THE ACUTATION POINT WILL VARY DEPENDING ON THE TEMPERATURE & SPECIFIC GRAVITY OF THE LIQUID BEING DETECTED.

DWG # BTL400/25SSS	
MODEL # BTL400/25SSS	
DATE: 1/30/09	DWG BY fcb
REV 1	APPROVED BY FCB

All contents presented in this document are the property of North American Sensors Corp. and cannot be used, duplicated or altered by any party in any way without permission.



BOTTLE SWITCH MODEL BTL400/SSS IS DESIGNED TO BE INSTALLED EXTERNAL TO SHIPS AND INDUSTRIAL TANKS. IT MAY BE BOLTED TO ADJOINING STRUCTURE. THIS SWITCH IS 316SS CONSTRUCTION WITH A STAINLESS STEEL FLOAT AND A HERMETICALLY SEALED SPDT REED SWITCH. SPECIFICATIONS MAY CHANGE WITHOUT NOTICE.