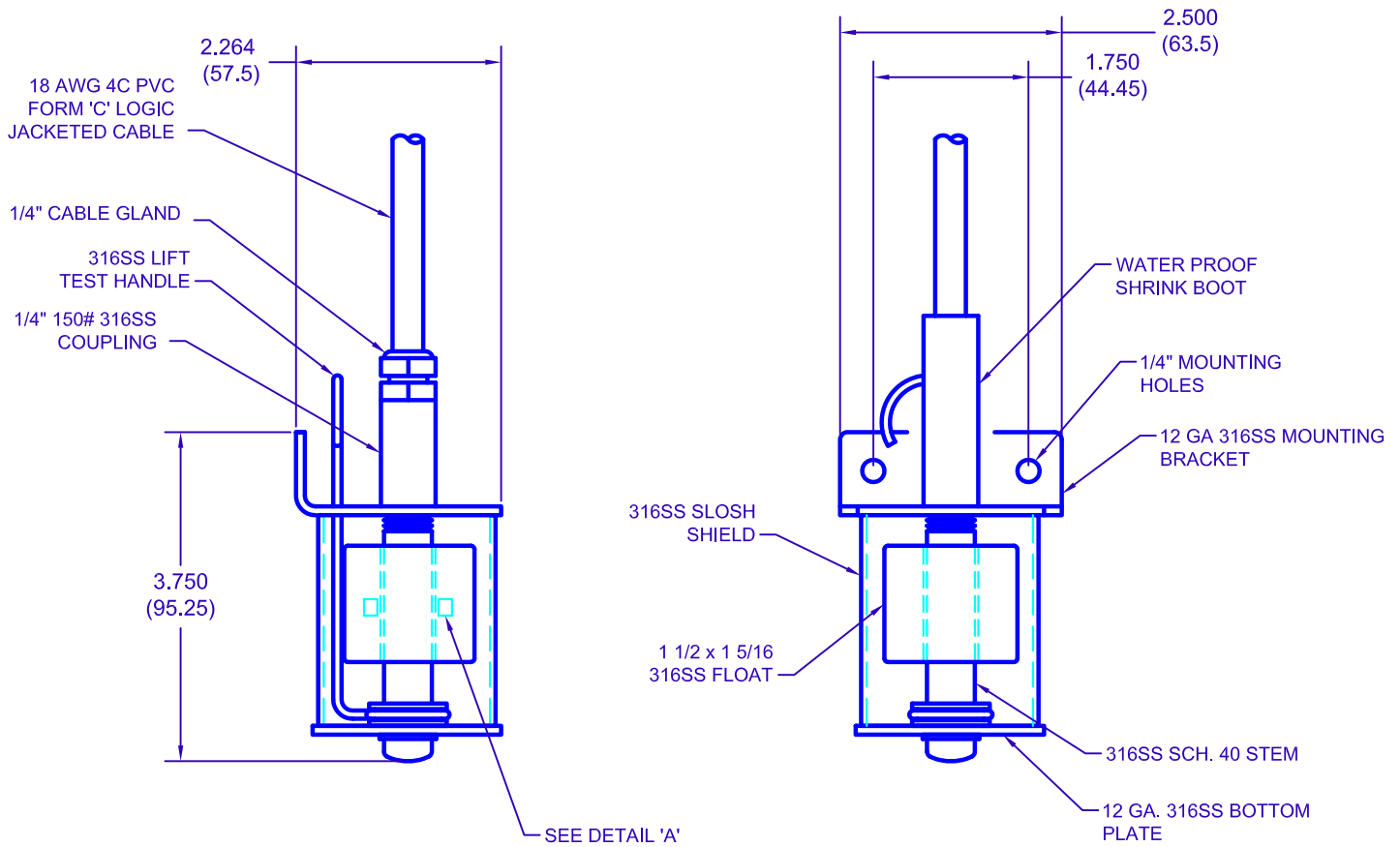
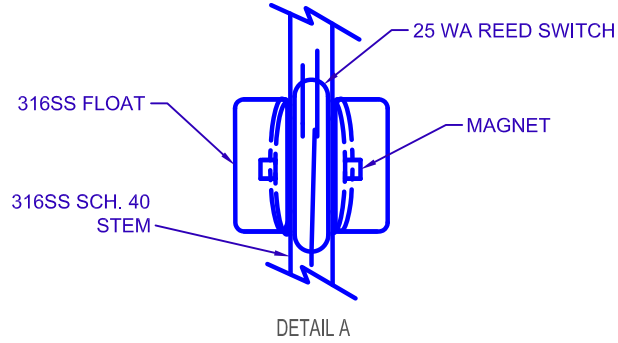


WIRING LOGIC

SWITCH RATED SPDT 25VA

RED - N.O.
 BLACK - N.C.
 WHITE - COMMON
 GREEN - GROUND

Max. Temp.	225°F
Max. PSIG	200
Float SG	.62
Watt Rating	25 AC/DC
Max Volts	240 AC/DC



NORTH AMERICAN SENSORS CORP.
 23400 HIGHWAY 435
 ABITA SPRINGS, LA 70427
 985-893-0909 985-893-0807

NOTE:
 1. MAX. WATT RESISTIVE LOAD = 25W
 2. THE ACUTATION POINT WILL VARY DEPENDING ON THE TEMPERATURE & SPECIFIC GRAVITY OF THE LIQUID BEING DETECTED.

DWG # BLG225/25SSS	
MODEL # BLG225/25SSS	
DATE: 1/30/09	DWG BY fcb
REV 1	APPROVED BY FCB

All contents presented in this document are the property of North American Sensors Corp. and cannot be used, duplicated or altered by any party in any way without permission.



BILGE SWITCH MODEL BLG225V25SSS IS DESIGNED TO BE INSTALLED IN SHIP'S BILGES AND TANKS. ANOTHER APPLICATION IS IN INDUSTRIAL SUMPS AND TANKS WHERE IT WOULD BE BOLTED TO AN ADJOINING STRUCTURE. THIS SWITCH IS PRIMARILY STAINLESS STEEL CONSTRUCTION WITH A HERMETICALLY SEALED REED SWITCH THAT HAS BEEN POTTED IN AN EPOXY RESIN. THIS SWITCH IS ALSO DESIGNED WITH A SPECIAL FEATURE, A MANUAL LIFT TEST HANDLE TO BE USED IN THE FIELD TO DETERMINE IF THE SWITCH IS OPERATIONAL.